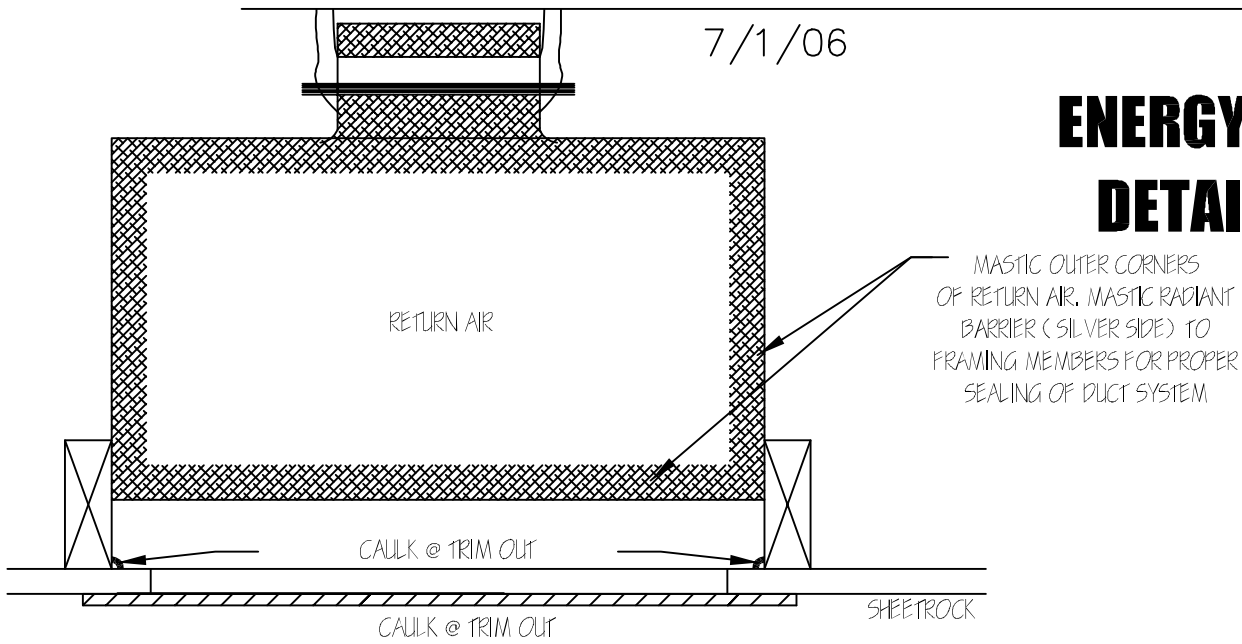


ENERGY STAR HOME BUILDER - HOUSTON

7/1/06

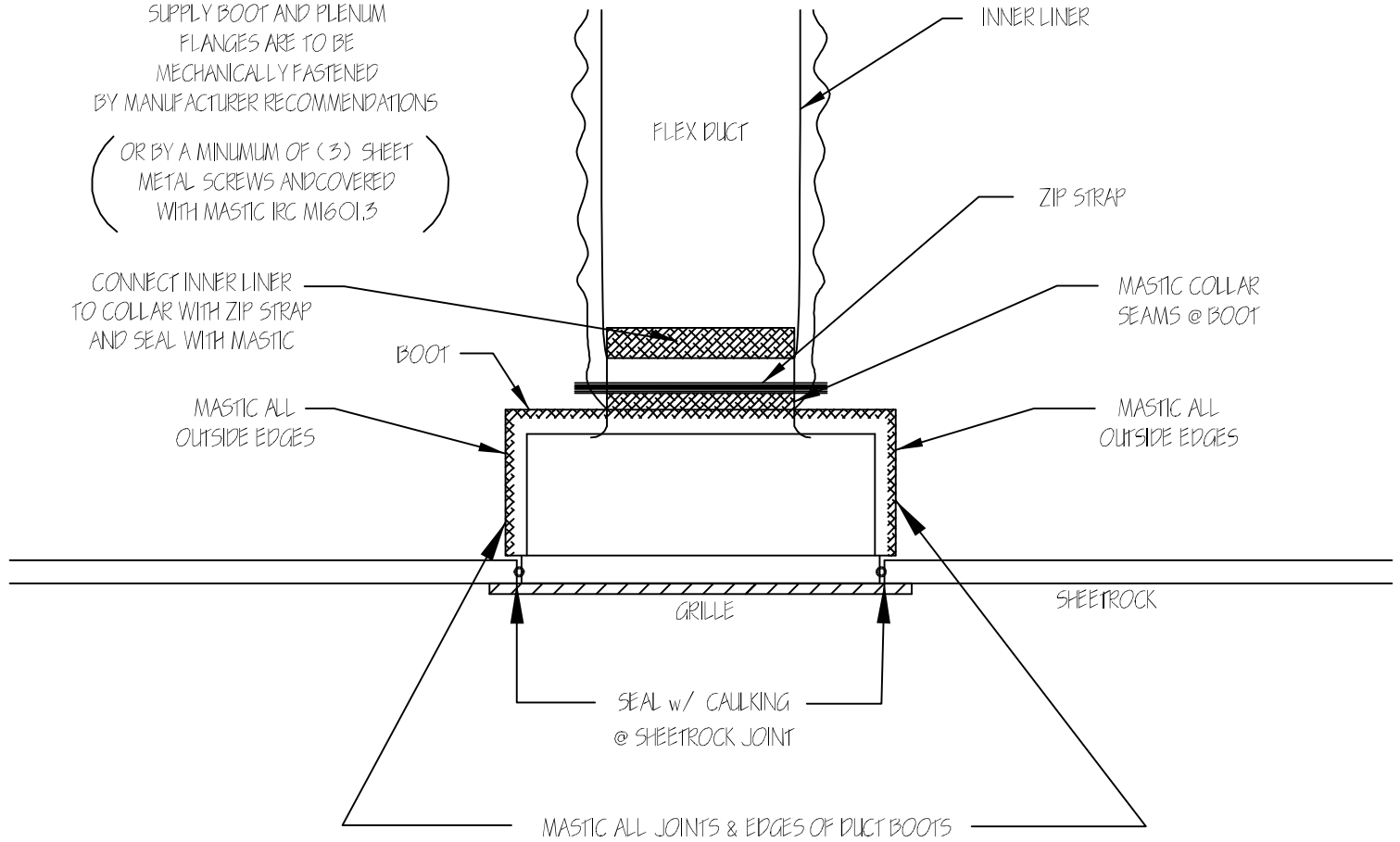
ENERGY STAR DETAIL #5



ALL DUCT CONNECTIONS TO SUPPLY BOOT AND PLENUM FLANGES ARE TO BE MECHANICALLY FASTENED BY MANUFACTURER RECOMMENDATIONS

(OR BY A MINIMUM OF (3) SHEET METAL SCREWS AND COVERED WITH MASTIC IRC M1601.3)

CONNECT INNER LINER TO COLLAR WITH ZIP STRAP AND SEAL WITH MASTIC



Duct Sealing Detail



DPIS Engineering, LLC

1600 E. Hufsmith
Tomball, TX 77375
281-351-0048 OFFICE
281-351-0148 FAX

APPROVED _____ DATE _____
ENERGY STAR BUILDER

APPROVED _____ DATE _____
DPIS ENGINEERING

IMPLEMENTATION _____ DATE _____